

FL06-Series



KEY ADVANTAGES

- Easy to install and stock, improve the universality of modules, plug and light between modules.
- Three power distribution modes are provided, namely, split power supply box and integrated power supply box, which can support power supply by distribution box.
- There are two requirements for the hood, one is that the extended hood can adjust the angle, and the other is not adjustable.
- Convenient for users to install and provide optional handles.
- Customized private mode lens accurately controls the angle of light shape, effectively reducing polluted light.

TYPES OF APPLICATION

- LARGE AREAS
- SPORT FACILITIES



SPORT FACILITIES



LARGE AREAS



GENERAL INFORMATION

Driver included	Yes
CE mark	Yes
RoHS compliant	Yes
Safety features	Open circuit protection Short circuit protection Overvoltage protection
Testing standard	LM-79-19 (all measurements in ISO17025 accredited laboratory)

HOUSING AND FINISH

Housing	Aluminium
Optic	Polycarbonate
Respirator	Yes
Housing finish	Electrostatic polyester powder coating
Standard colour(s)	RAL 9017 black
Tightness level	IP 66
Impact resistance	IK 09
Wind Force Test	Pass

OPERATING CONDITIONS

Operating temperature range (Ta)	-30°C to + 35°C
Operating Humidity	10-90%RH
Mounting Option	Bracket Mounting
Warranty	5 years

PERFORMANCE

Power	500W/1000W/1500W
Efficacy	160lm/W-150lm/W
Power Efficiency	≥90%
Start Time	≤0.2S

ELECTRICAL INFORMATION

Electrical class	Class I EU
Nominal voltage	200-240V 50/60Hz
Power factor (at full load)	0.9
Surge protection options (kV)	10KV-Line-Line 20KV-Line-Earth
Electromagnetic compatibility (EMC)	EN 55015:2019/A11:2020, EN 61000 3-2:2019, EN 61000-3-3:2013, EN 61547:2009, EN 62493:2015
Total Harmonic Distortion(THD)	IEC 61000-3-2 Class C <20%
Driver Type	Constant current(CC)
Flicker	No
For fixed Class 1 luminaires, overvoltage protective devices which comply with IEC 61643-11 shall be disconnected from the circuit.	
withstand voltage	1.5KV 60S 10mA

※Lamp switch must control L line or control L and N lines.

OPTICAL INFORMATION

LED Type	SMD3030
Beam Angle	15°/30°/60°
Recommended installation height	15m to 45m
Color Tolerance	Ra70 ≤7 Ra80 ≤5
LED colour temperature	3000K / 4000K / 5000K / 5700K / 6500K
Colour rendering index (CRI)	CRI>70 standard CRI>80 optional
Upward Light Output Ratio (ULOR)	0%

※Ra measurement tolerance is ±2.

LIFETIME OF THE LEDS @ TA 25°C

All configurations	
L70B50	>100,000h
L80B20	>50,000h
L90B10	>30,000h
Switching Cycles	>100,000 times

STANDARD VERSION

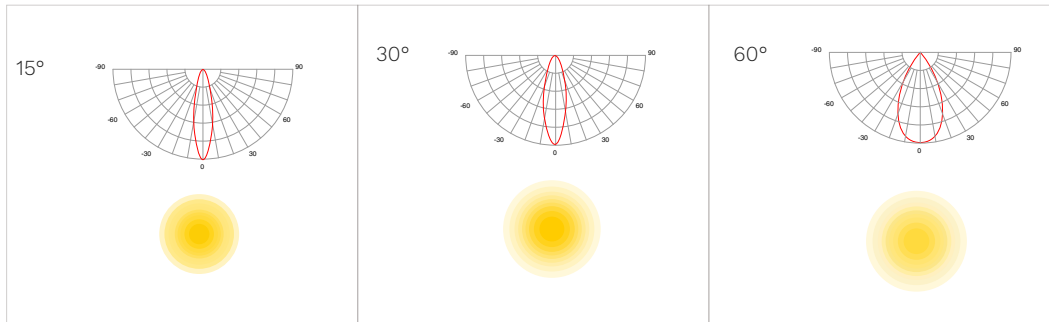
POWER	LUMENS	EFFICACY
500W	80,000LM	160LM/W(Ra70)
	75,000LM	150LM/W(Ra80)
1000W	160,000LM	160LM/W(Ra70)
	150,000LM	150LM/W(Ra80)
1500W	240,000LM	160LM/W(Ra70)
	225,000LM	150LM/W(Ra80)

※The Performance Data is tested base on 230VAC, 30° and 4000K for all versions
 ※Power Consumption Tolerance ±5% (Apply to all versions)
 ※Lumen Efficiency Tolerance ±5% (Apply to all versions)




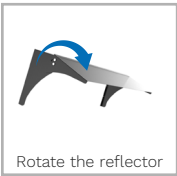


PACKAGING

POWER	PACKAGE SIZE	QTY/CTN	SINGLE PIECE VOLUME	NET WEIGHT	GROSS WEIGHT	20GP	40HQ
500W	L710xW535XH260mm	1PCS/CTN	0.0914m ³	10.5kg	12.5kg	275pcs	715pcs
1000W	L835*W720*H270mm	1PCS/CTN	0.1623m ³	20.5kg	23.5kg	150pcs	390pcs
1500W	L1085*W720*H270mm	1PCS/CTN	0.2109m ³	29kg	33kg	115pcs	305pcs

LIGHT DISTRIBUTIONS

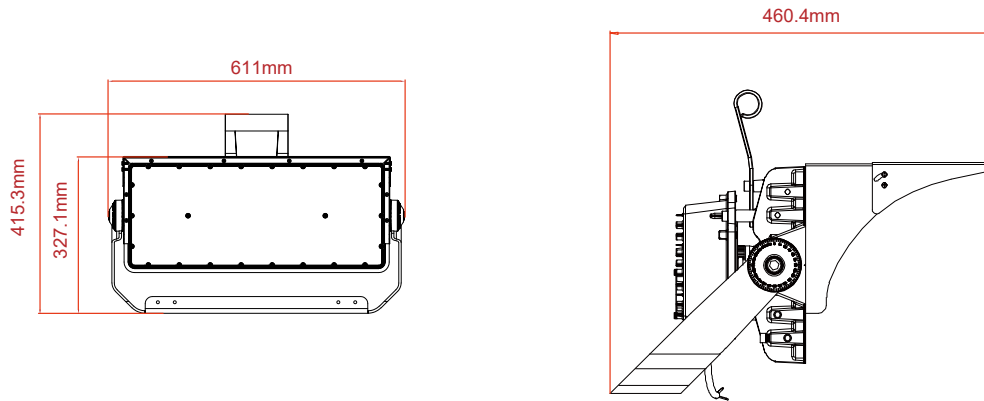


OPTIONAL ACCESSORIES

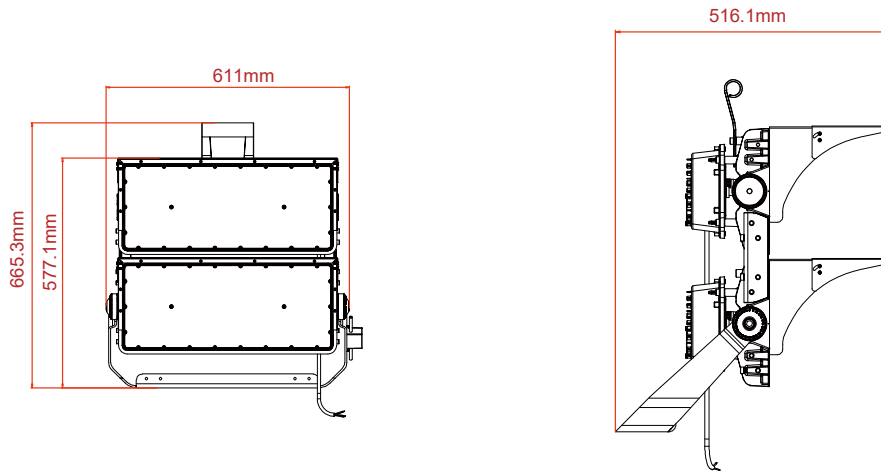
	 reflector	 Laser aiming device	 20KV SPD
	 Rotate the reflector	 Crank handle	 External power supply

⚠ Connecting the cable requires an IP65 Tightness level

500W



1000W



1500W

